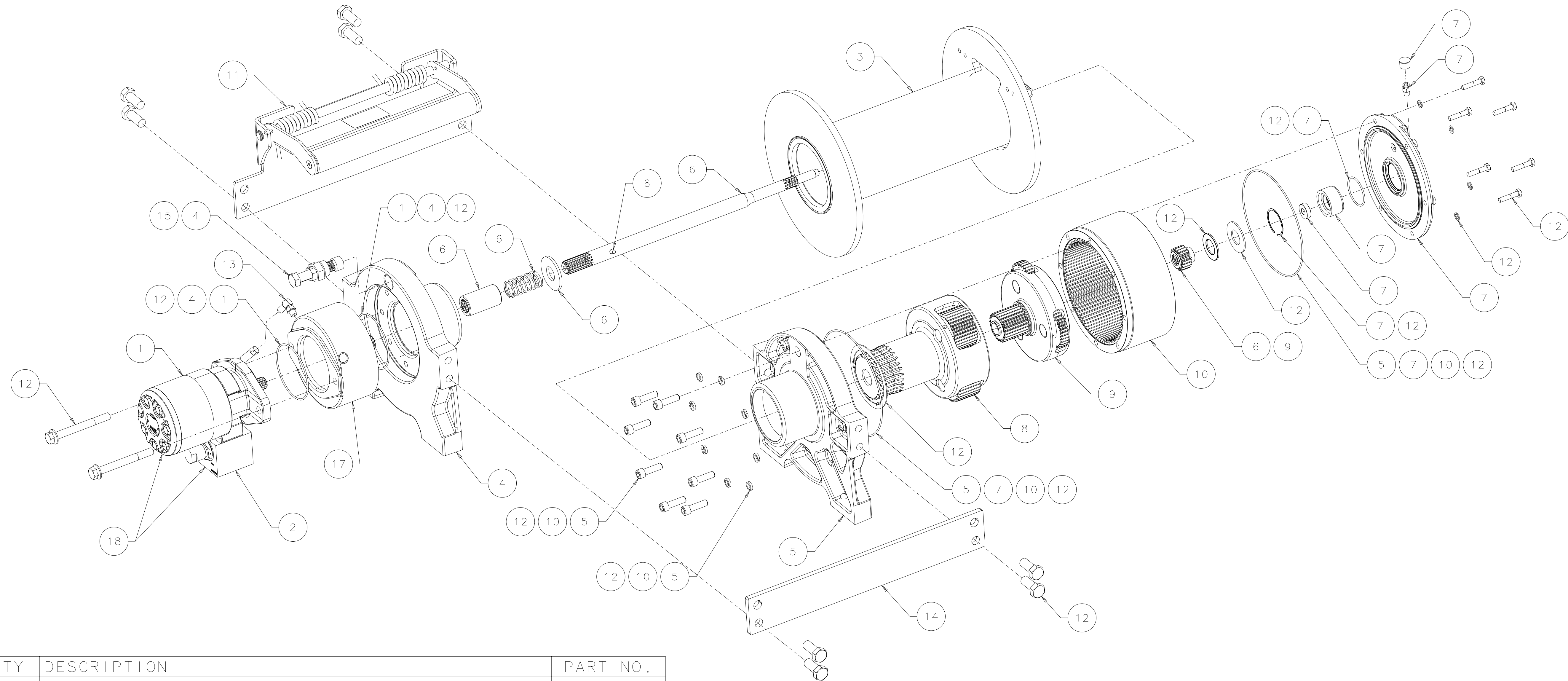


CONFIDENTIAL
 THIS DOCUMENT CONTAINS PROPRIETARY INFORMATION OF WARN INDUSTRIES. NEITHER THIS DOCUMENT, NOR THE INFORMATION IT CONTAINS, MAY BE USED, DISCLOSED TO OTHERS, OR COPIED, WHOLE OR IN PART, WITHOUT THE WRITTEN CONSENT OF WARN INDUSTRIES.



ITEM	QTY	DESCRIPTION	PART NO.
1	1	SCV KIT-MOTOR-HYD-12.0CIR-TG0195	87060
2	1	SVC KIT-CB VALVE-HYD-PARKER 410125	87019
3	1	SVC KIT-DRUM ASSY-20K-LONG	79722
4	1	SVC KIT_DRUM RETARDR_DRM SPPRT	85928
5	1	SVC KIT-DRUM SUPPORT-GEAR END	77439
6	1	SVC KIT-DRIVESHAFT-LONG	79723
7	1	SVC KIT-END HSG ASSY-AIR	77441
8	1	SVC KIT-CARRIER-STG2-6.0-4.75	77442
9	1	SVC KIT-CARRIER-STG1-6.0-4.75	77443
10	1	SVC KIT-RING GEAR	77444
11	1	SVC KIT-TENSIONER-LONG	79725
12	1	SVC KIT-HARDWARE-SEAL	87057
13	1	SVC KIT-HOSE-HYD	77447
14	1	SVC KIT-TIE PLATE-LONG	79726
15	1	SVC KIT_DRUM RETARDER	85975
16	1	SVC KIT-WIRE ROPE ASSY-9/16 EIPS X 245FT	77452
17	1	SVC KIT-BRAKE ASSY	77436
18	1	SVC KIT-HYD MTR-MANF-TG0195-SRS20XL-LP	87287

NOTES:
 1. WARN P/N 79210.
 2. ITEM 16- WIRE ROPE ASSY NOT SHOWN ON THIS DRAWING.

REV	E.N. NO.	DESCRIPTION OF CHANGE	PROJ. ENGR.
CO	24698	REPLACED PN 78301 WITH PN 85822	KIP
BO	24488	REPLACED P/N 77438 WITH P/N 85928 AND ADDED P/N 85975	VAMA
AO	23936	RELEASE	PL
REVISIONS			
WARN INDUSTRIES, INC. 12900 S.E. CAPPS ROAD CLACKAMAS, OREGON USA 97015-8903			
DIMENSIONS & TOLERANCES IN ACCORDANCE WITH ANSI/ASME Y14.5M-1994			
THIRD ANGLE PROJECTION		SEE BOM	
DIMENSIONS ARE IN		<input type="checkbox"/> MILLIMETERS <input checked="" type="checkbox"/> INCHES	
UNSPECIFIED TOLERANCES		TITLE	
ONE PLACE DEC. (X.X) ±		RPL-WINCH ASSY-SRS 20XL-LP-LONG DRUM-AIR	
TWO PLACE DEC. (X.XX) ±			
THREE PLACE DEC. (X.XXX) ±			
FOUR PLACE DEC. (X.XXXX) ±			
ANGULAR ±		DRAWN: V-VALI DATE: 2009/04/24 PROJECT ENGR: LINES	
SCALE	1:4	SHEET 1 OF 1	D 986865