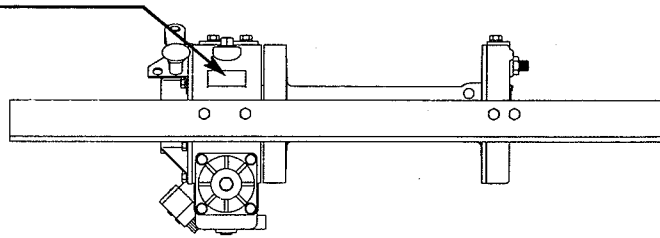


Model Number

Serial Number



Most BRADEN worm gear winches have the model and serial numbers stamped into the worm gear housing. **Always** reference both of these numbers when ordering replacement parts. Our goal is to ship the correct parts, the first time.

FOR BEST RESULTS, ALWAYS USE GENUINE BRADEN REPLACEMENT PARTS

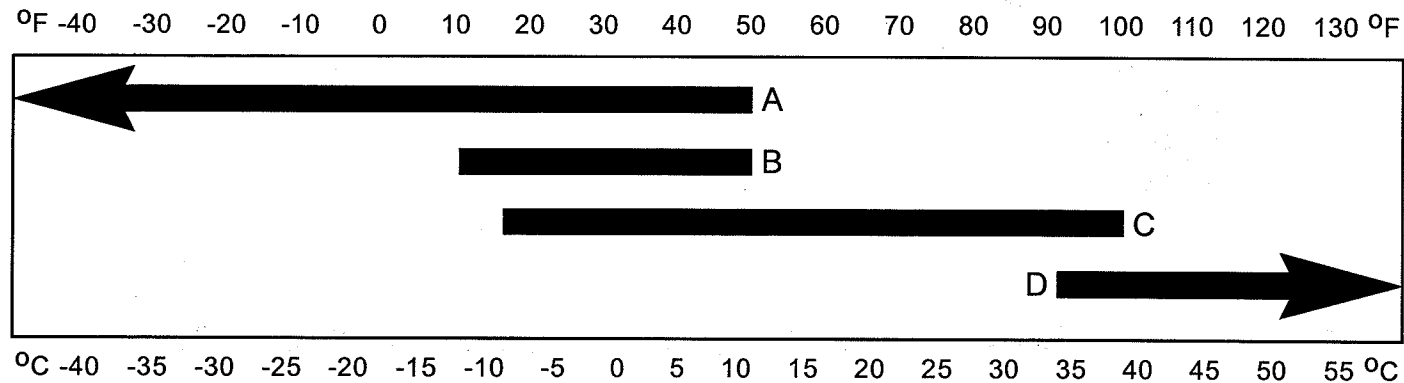
TO ORDER PARTS:

1. List model and serial numbers of the winch.
2. Refer to exploded view and select the component(s) needed and list the item number(s).
3. Find item number(s) on material list, show part number, description and quantity required on your order.
4. Refer to parts price list and show price for each part or assembly.

RECOMMENDED WORM GEAR OIL

We have published the following specifications to help you determine which lubricant is best suited for your application. For simplicity, Braden has listed one readily available product in each temperature range which has been tested and found to meet our specifications. This is not to say that other lubricant brands would not perform equally as well. If the following lubricant brands are not available in your area, make certain your lubricant vendor supplies you with oil that is equivalent to those products listed below.

PREVAILING AMBIENT TEMPERATURE



- A. Synthetic Texaco Pinnacle 150 or equivalent
- B. AGMA Grade 5 EP (90 wt) Texaco Meropa 220 or equivalent
- C. AGMA Grade 7 EP (140 wt) Texaco Meropa 460 or equivalent
- D. AGMA Grade 8 EP (180 wt) Texaco Meropa 680 or equivalent

Oil Capacity - 1 pint (0.47L)

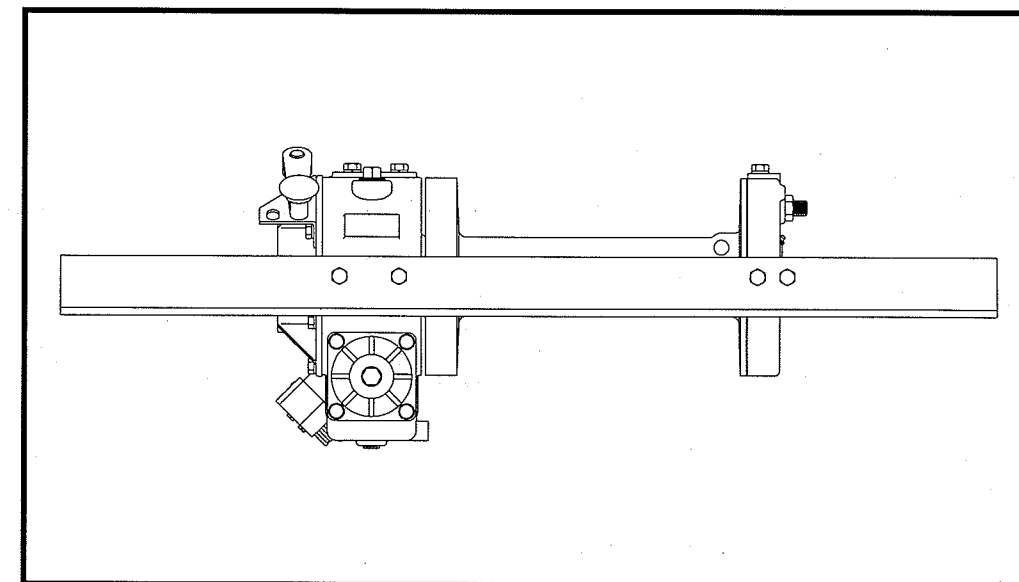
⚠ WARNING ⚠

Do not use aftermarket additives in worm gear oil. Some additives may contain substances which could cause glazing of brake discs or impede the firm locking action in the brake rotor assembly. Both symptoms could reduce load control which may result in property damage, personal injury or death.

BRADEN®

**AMU7
AHU7**

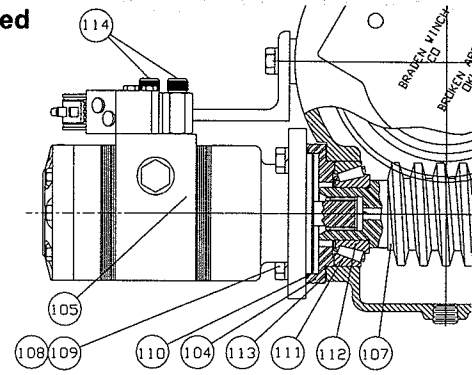
MATERIAL LIST



BRADEN MU7-16, MU7-16F, AMU7-16F, AMU7-14F, AHU7-14F -- COMPONENTS

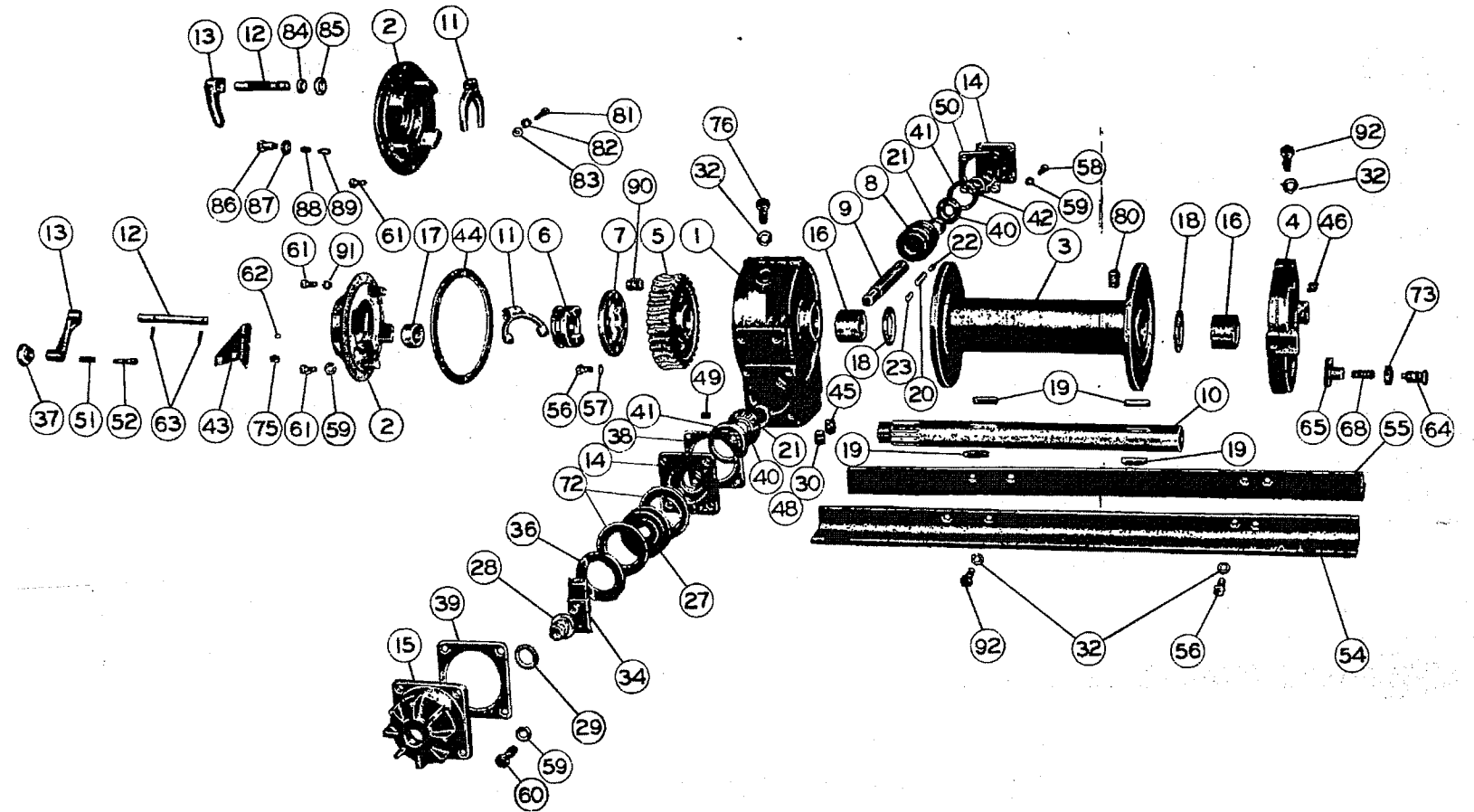
BASIC MATERIAL LIST			
ITEM	DESCRIPTION	PART NO.	QTY.
1	Worm Housing (mechanical drive)	81078	1
	Worm Housing (hydraulic drive RA)	81832	1
	Worm Housing (hydraulic drive LA)	81758	1
3	Cable Drum	101142	1
4	Bearing Leg Assy.	81077	1
5	Worm Gear, Right	11434	1
	Worm Gear, Left	11433	1
6	Sliding Clutch	11421	1
7	Clutch Plate	11419	1
8	Worm, Right	11404	1
	Worm, Left	11403	1
9	Worm Shaft	11405	1
10	Cable Drum Shaft	11414	1
14	Bearing Container	11427	2
15	Worm Brake Cover	11445	1
16	Bushing	18035	2
17	Bushing	11425	1
18	Retaining Ring	11420	2
19	Cable Drum Key	22055	4
20	Worm Key	11402	1
21	Worm Spacer	11407	2
22	Sprocket Key	23367	1
23	Rotor Key	10078	1
27	Brake Rotor Assy.	81080	1
28	Worm Brake Adjusting Nut	11599	1
29	O'Ring	12465	1
30	Filler Plug	19014	1
32	Lockwasher (1/2)	11026	11
34	Safety Brake Spring Assy. (includes item 28)	81081	1
36	Pressuer Plate	11431	1
38	Gasket	11429	6
39	Gasket	11446	1
**40	Bearing Cone	18033	2
**41	Bearing Cup	18034	2
42	Grease Seal	12073	1
44	Housing Cover Gasket	11411	1
45	Drain Plug	19045	1
46	Grease Fitting	18047	1
48	Vent Plug	22775	1
49	Level Plug	18009	1
50	Gasket	11430	1
51	Shifter Knob Spring	11310	1
52	Shifter Knob Stem	11309	1
56	Capscrew (1/2-13NC X 1 1/4 G5)	13938	12
57	Lockwasher (1/2 external tooth)	12781	8
58	Capscrew (7/16-14NC X 1 1/4 G5)	21044	4
59	Lockwasher (7/16)	11025	13
60	Capscrew (7/16-14NC X 1 3/4 G5)	22695	4
61	Capscrew (7/16-14NC X 1 G5)	21964	6
64	Adjusting Screw	11398	1
65	Drag Brake Shoe Assy.	88005	1
68	Drag Brake Spring	18002	1
72	Friction Disc	11426	2
73	Jam Nut (3/4-10NC)	11791	1
76	Capscrew (1/2-13NC X 3/4 G5)	22729	2
*78	Warning Plate	23310	1
*79	Drive Screw	11842	4
80	Set Screw	12228	1

Parker 2-Speed Motor

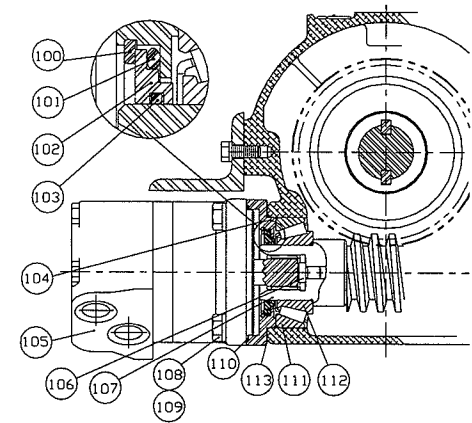


AHU7 WITH PARKER 2-SPEED MOTOR

ITEM	DESCRIPTION	PART NO.	QTY
104	Bearing Retainer	101245	1
105	Hydr. Motor (10.8/5.4 cu in.)	101165	1
107	Worm & Shaft (1 piece)	102306	1
108	Capscrew (1/2 - 13 X 2 G5)	13421	4
109	Lockwasher (1/2)	11026	4
110	O-Ring	72718	1
111	Bearing Cup	26257	1
112	Bearing Cone	26258	1
113	Bearing Retainer	101245	1
114	Adapter (-10 ORB to JIC)	102342	2



Char-Lynn 4 Bolt Close Coupled Motors



AHU7 WITH CHAR-LYNN MOTOR

ITEM	DESCRIPTION	PART NO.	QTY
100	Retaining Ring	25700	1
101	O-Ring	26722	1
102	Seal Container	26255	1
103	Quad Ring	26256	1
104	Bearing Retainer	26306	1
105	Hydr. Motor (11.9 cu in.)	26305	1
106	Rest Button	26263	1
107	Worm & Shaft (1 piece)	102306	1
108	Capscrew (1/2 - 13 X 2 G5)	13421	4
109	Lockwasher (1/2)	11026	4
110	O-Ring	72718	1
111	Bearing Cup	26257	1
112	Bearing Cone	26258	1
113	Gasket	26871	A.R.

MATERIAL LIST VARIABLES

ITEM	DESCRIPTION	MU7-16		MU7-16F Below S.N. 5611499		MU7-16F Above S.N. 5611498		AMU7-16F AMU7-14F	
		PART NO.	QTY.	PART NO.	QTY.	PART NO.	QTY.	PART NO.	QTY.
2	Worm Housing Cover Assy.	81213	1	81213	1	81082	1	81082	1
11	Shifter Fork	11422	1	11422	1	11440	1	11440	1
12	Shifter Shaft	11423	1	11423	1	11441	1	11441	1
13	Shifter Handle	11496	1	11496	1	11442	1	26976	1
37	Shifter Knob	---	---	---	---	18022	1	18022	1
43	Shifter Bracket	---	---	---	---	12783	1	12783	1
54	Base Angle - Front	12921	1	12914	1	12914	1	12921	1
55	Base Angle - Rear	12922	1	12915	1	12915	1	12922	1
62	Expansion Plug	---	---	---	---	12146	1	12146	1
63	Rollpin (1/4 X 1 3/4)	---	---	---	---	13028	2	13028	2
75	Expansion Plug	---	---	---	---	12767	1	12767	1
77	SAE Plate - AMU7-16F	---	---	---	---	---	---	23245	1
81	Capscrew	13470	1	13470	1	---	---	---	---
82	Lockwasher	11011	1	11011	1	---	---	---	---
83	Hex Nut	11771	1	11771	1	---	---	---	---
84	Jam Nut	11059	1	11059	1	---	---	---	---
85	Grease Seal	11103	1	11103	1	---	---	---	---
86	Poppet Retainer	12098	1	12098	1	---	---	---	---
87	Washer	12100	1	12100	1	---	---	---	---
88	Spring	12145	1	12145	1	---	---	---	---
89	Poppet	12140	1	12140	1	---	---	---	---
90	Thread Insert	---	---	---	---	11435	8	11435	8
91	Lockwasher (7/8 external tooth)	---	---	---	---	---	---	11014	1
92	Capscrew (1/2-13NC X 1 G5)	---	---	---	---	---	---	22697	5

* Not Shown.

** AH series winches use only 1, on brake end of worm shaft.

NOTE: All Worm Housings include bushing, item 16.