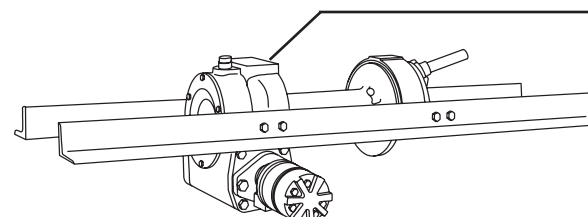
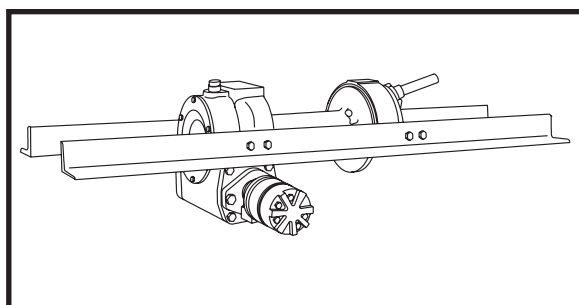


MATERIAL LIST

BRADEN

ALGU2 AHGU2



**Model Number
Serial Number**

Most Braden worm gear winches have the model and serial numbers stamped into the worm gear housing. **Always** reference both of these numbers when ordering replacement parts. Our goal is to ship the correct parts, the first time.

FOR BEST RESULTS, USE ONLY FACTORY CERTIFIED REPLACEMENT PARTS

TO ORDER:

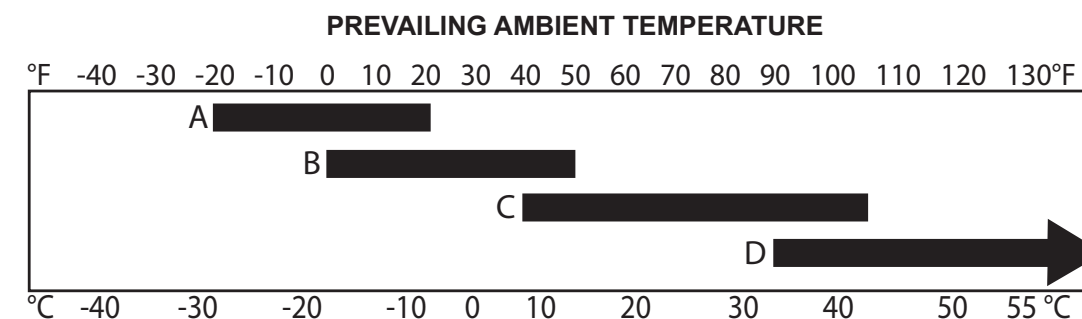
- 1) List model and serial numbers of the winch.
- 2) Refer to illustrations and select the component(s) needed and note item number.
- 3) Find item number on material list, show part number, description, and quantity on your order.
- 4) Refer to parts price list and show price for each component or assembly.

SPECIFICATIONS

Recommended Worm Gear Oil:

We have published the following specifications to help you determine which lubricant is best suited to your application. For simplicity, Braden has listed readily available products in each temperature range which has been tested and found to meet our specifications. This is not to say that other lubricant brands would not perform equally as well.

If the following lubricant brands are not available in your area, make certain your lubricant vendor supplies you with oil that is equivalent to those products listed below.



- A. AGMA Grade 3 EP; Mobilgear 600xp 100 or equivalent
- B. AGMA Grade 5 EP; Mobilgear 600xp 220 or equivalent
- C. AGMA Grade 7 EP; Mobilgear 600xp 460 or equivalent
- D. AGMA Grade 8 EP; Mobilgear 600xp 680 or equivalent

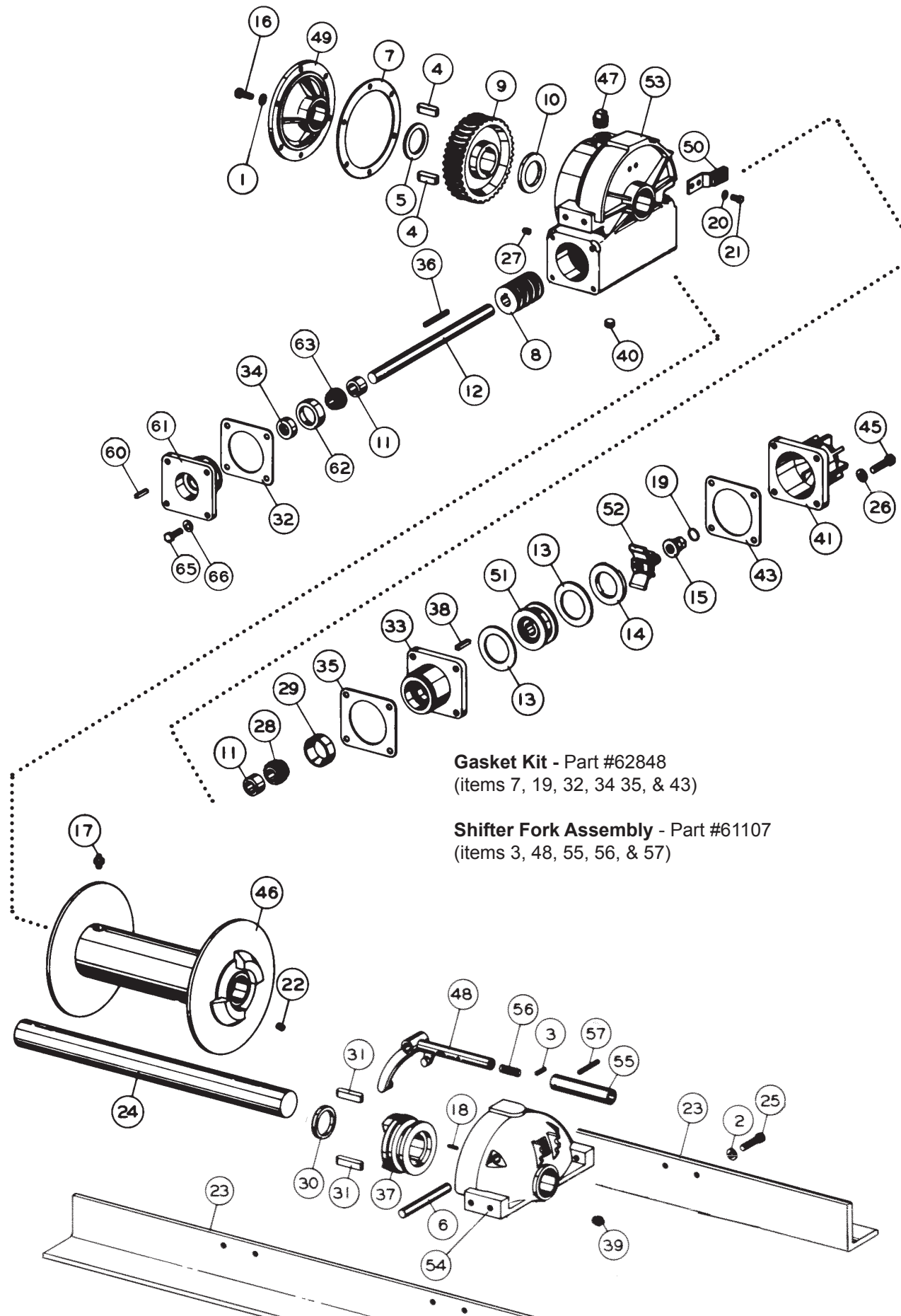
Brand recommendations in tier C climate range:

- MOBIL Mobilgear 600xp 460
- SHELL Omala 460
- CHEVRON Gear Compounds EP460
- TEXACO Meropa 460

⚠ WARNING ⚠

Do not use aftermarket additives in worm gear oil. Some additives may contain substances which could cause glazing of brake discs or impede the firm locking action in the brake rotor assembly. Both symptoms could reduce load control which may result in property damage, severe personal injury or death.

BRADEN ALGU2-10F, AHGU2-10F COMPONENTS



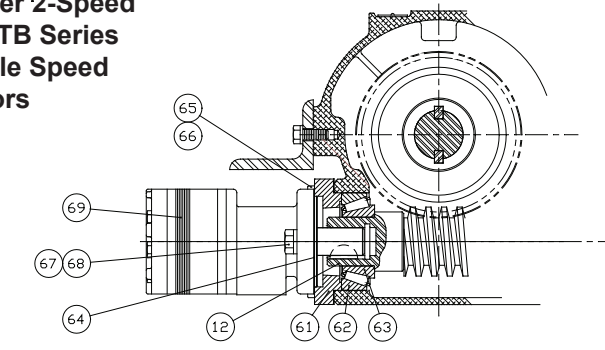
Gasket Kit - Part #62848
(items 7, 19, 32, 34, 35, & 43)

Shifter Fork Assembly - Part #61107
(items 3, 48, 55, 56, & 57)

BASIC MATERIAL LIST			
ITEM	DESCRIPTION	PART NUMBER	QTY.
1	Lockwasher (5/16 external tooth)	11011	6
2	Lockwasher (3/8 plain)	27152	8
3	Rollpin	18056	1
4	Worm Gear Key	11117	2
5	Thrust Race	13680	1
6	Shifter Shaft	11130	1
7	Housing Cover Gasket	11133	1
8	Worm, Right Hand	11143	1
9	Worm, Left Hand	11142	1
10	Worm Gear, Right Hand	11145	1
11	Worm Gear, Left Hand	11144	1
12	Thrust Ring	11240	1
13	Worm Spacer	11308**	2
14	Worm Shaft	23470**	1
15	Safety Brake Disc	11426	2
16	Safety Brake Pressure Plate	11431	1
17	Safety Brake Adjusting Nut (included with item 52)	11599	1
18	Capscrew (5/16 -18 X 1 G8 Z)	11767	6
19	Grease Fitting	11799	2
20	Rollpin	11837	2
21	O-Ring	12465	1
22	Lockwasher (1/4 external tooth)	12780	2
23	Capscrew (1/4 -20 X 5/8 G8 Z)	104300	2
24	Cable Setscrew (1/2 - 13 cup point)	24032	1
25	Base Angle	22752	2
26	Cable Drum Shaft	11129	1
27	Capscrew (3/8 - 16 X 1 G8 Z)	104309	8
28	Lockwasher (3/8 plain)	27152	4
29	Pipe Plug (1/8 NPT)	18009	1
30	Bearing Cone	18015	1
31	Bearing Cup	18016	1
32	Retaining Ring	18019	1
33	Key	18020	2
34	Bearing Container Gasket (1/64)	18024	3
35	Bearing Container	23303	1
36	Grease Seal	18026**	1
37	Bearing Container Gasket (1/32)	18027	3
38	Worm Key	18030	1
39	Sliding Clutch	18039	1
40	Key	18044	2
41	Grease Fitting	18047	1
42	Plug (1/2 NPT)	19045	1
43	Safety Brake Housing	21591	1
44	Gasket	21640	1
45	Capscrew (3/8 - 16 X 2 G8 Z)	104136	4
46	Cable Drum	11128	1
47	Plug	22775	1
48	Shifter Fork	101094	1
49	Housing Cover (includes item 49a)	81009	1
49a	Bushing (not shown)	11368	1
50	Drag Brake Assembly	81025	1
51	Rotor Assembly	81080	1
52	Safety Brake Spring Assembly (includes item 15)	81081	1
53	Wm Housing Assy (includes item 54a)	81006	1
54	Bearing Leg Assy (includes item 54a)	81530	1
54a	Bushing (not shown)	18078	2
55	Shifter Handle	12817	1
56	Spring	18002	1
57	Detent Rollpin	13028	1
60	Drive Gear Key	10078**	1
61	Bearing Container	23303**	1
62	Bearing Cup	18016**	1
63	Bearing Cone	18015**	1
65	Capscrew (3/8 - 16 X 2 G8 Z)	104136**	4
66	Lockwasher (3/8 plain)	27152**	4

** Part DOES NOT apply to winches with closed coupled hydraulic motors. See appropriate parts list at right.

Parker 2-Speed and TB Series Single Speed Motors

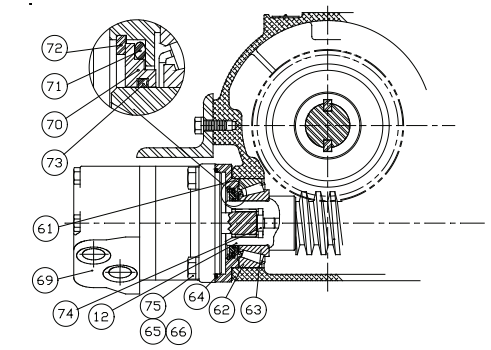


2-SPEED AND SINGLE SPEED TB SERIES MOTORS

ITEM	DESCRIPTION	1-SPEED MOTOR	2-SPEED MOTOR	QTY.
		PART NUMBER	PART NUMBER	
12	Worm Shaft	101231	26020	1
61	Bearing Container	102625	101237	1
62	Bearing Cup	26257	26257	1
63	Bearing Cone	26258	26258	1
64	Motor Gasket/O-Ring *	10104	72718	1
65	Capscrew	27796	104136	4
66	Washer	27879	27152	4
67	Lockwasher (1/2 plain)	11026	----	2
68	Capscrew (1/2 - 13 X 1 1/4 G8 Z)	104174	----	2
69	Hydr. Motor - TB 1-Speed (8 cu in.)	102503	----	1
----	Hydr. Motor - 2 Speed (7.2/3.6 cu in.)	----	101164	1
----	Motor Shaft Key (not shown)	11039	----	1
----	Bushing (not shown)	----	26351	4
----	ORB to JIC Adapter (not shown)	----	102342	2

* 1-Speed Motor uses gasket, 2-Speed Motor uses O-Ring
NOTE: 1-Speed Motor is 2 bolt, 2-Speed Motor is 4 bolt.

Char-Lynn 4 Bolt Close Coupled Motors



AHGU2 WITH CHAR-LYNN 4 BOLT CLOSE COUPLED MOTORS

ITEM	DESCRIPTION	PART NUMBER	QTY.
12	Worm Shaft	26020	1
61	Bearing Container	26017	1
62	Bearing Cup	26257	1
63	Bearing Cone	26258	1
64	O-Ring	72718	1
65	Capscrew (3/8 - 16 X 2 G8 Z)	104136	4
66	Lockwasher (3/8 plain)	27152	4
69	Hydraulic Motor (8 cu in.)	26262	1
69	Hydraulic Motor (6 cu in.)	26309	1
69	Hydraulic Motor, 2-Speed (8/4 cu in.)	101164	1
70	Seal Container	26255	1
71	O-Ring	26722	1
72	Snap Ring	25700	1
73	Quad Ring	26256	1
74	Rest Button	26263	1
75	Bushing	26351	4